

LAMB ELECTRIC

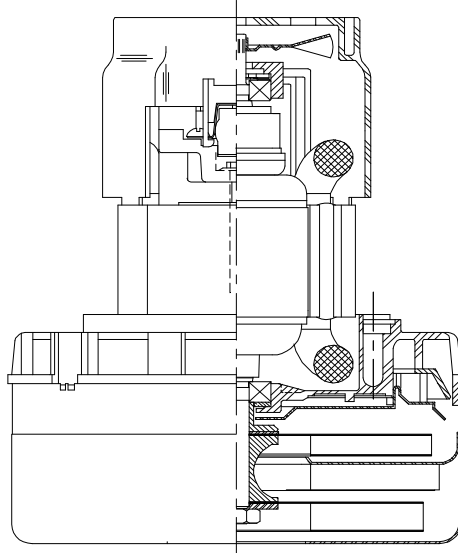
**Model: 116590-00
116590-13***

DESCRIPTION

- Two stage
- 240 volts
- 5.7"/145 mm diameter
- Double ball bearings
- Single speed
- ACUSTEK® low-noise peripheral bypass discharge
- Thermoset fan end bracket
- Aluminum commutator bracket

DESIGN APPLICATION

- Equipment operating in environments requiring separation of working air from motor ventilating air
- Designed to handle clean, dry, filtered air only



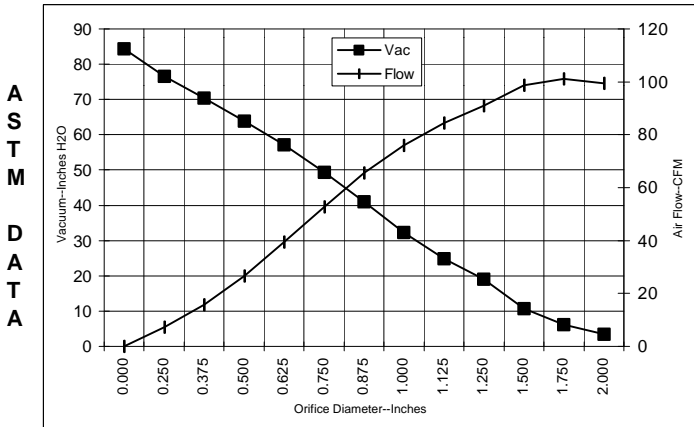
SPECIAL FEATURES

- Suitable for 240 volt AC operation, 50/60 Hz
- UL recognized, category PRGY2 (E41785)
- Provision for grounding
- Skeleton-frame design
- ACUSTEK® low-noise design, U.S. Patent #1,417,2000
- The Lamb Electric vacuum motor line offers a wide range of performance levels to meet design needs

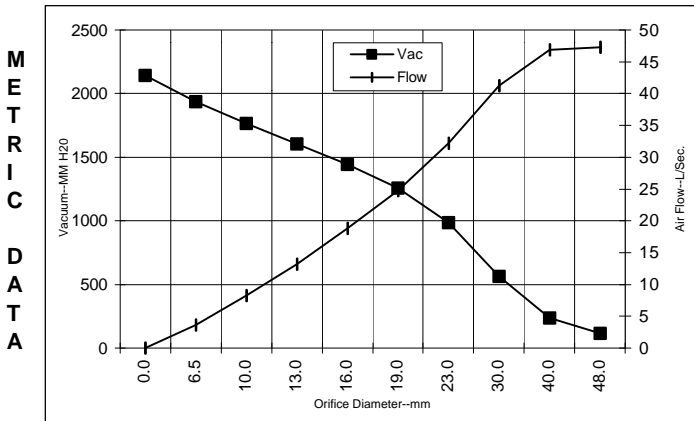
***Model 116590-13 features patented air seal bearing construction, U.S. Patent #4,088,424 and epoxy painted fan case**

TYPICAL MOTOR PERFORMANCE.*

(At 240 volts, 60Hz, test data is corrected to standard conditions of 29.92 Hg, 68° F.)



Orifice (Inches)	Amps	Watts (In)	RPM	Vac (In.H ₂ O)	Flow (CFM)	Air Watts
2.000	4.3	1002	18750	3.5	99.5	41
1.750	4.3	1002	18760	6.1	101.1	73
1.500	4.3	1002	18770	10.8	98.6	125
1.250	4.3	1002	18790	19.0	90.9	203
1.125	4.3	999	18820	24.9	84.4	247
1.000	4.3	992	18900	32.3	75.9	288
0.875	4.2	980	19040	41.1	65.5	316
0.750	4.1	948	19370	49.4	52.8	306
0.625	3.9	903	20010	57.2	39.4	264
0.500	3.6	851	20830	63.9	26.7	200
0.375	3.4	791	21780	70.5	15.8	131
0.250	3.1	739	22700	76.6	7.3	66
0.000	2.9	696	23640	84.4	0.0	0



Orifice (mm)	Amps	Watts (In)	RPM	Vac (mm H ₂ O)	Flow (L/Sec)	Air Watts
48.0	4.3	1002	18754	118	47.3	55
40.0	4.3	1002	18767	238	46.9	109
30.0	4.3	1000	18807	565	41.2	227
23.0	4.2	983	19005	988	32.1	309
19.0	4.1	947	19383	1257	24.8	305
16.0	3.9	905	19984	1444	18.8	266
13.0	3.6	856	20748	1606	13.2	206
10.0	3.4	800	21638	1765	8.2	141
6.5	3.1	742	22654	1937	3.6	69
0.0	2.9	696	23640	2144	0.0	0

Note: Metric performance data is calculated from the ASTM data above.

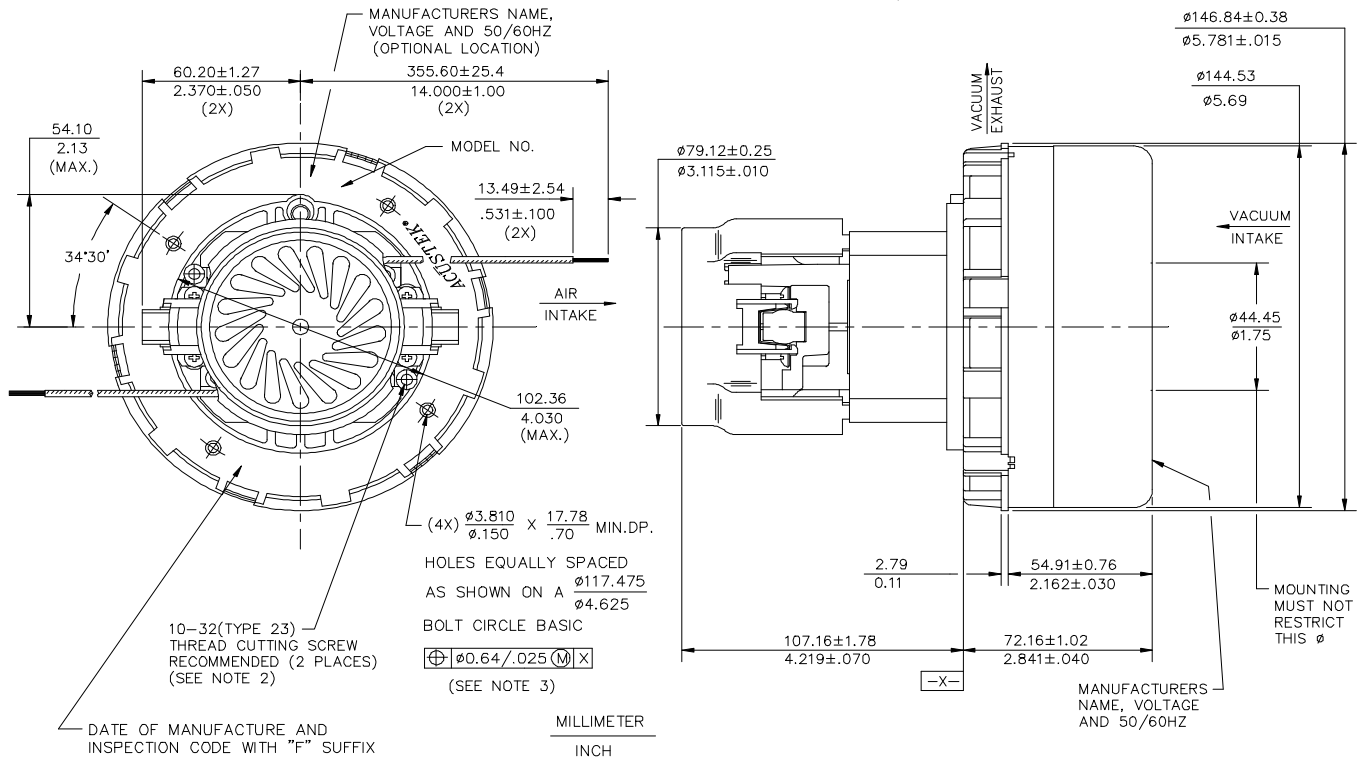
* Data represents performance of a typical motor sampled from a large production quantity. Individual motor data may vary due to normal manufacturing variations.

Test Specs:	240 volts	Minimum Sealed Vacuum:	82.0"	ORIFICE:	13mm	Minimum Vacuum:	60.0"	Maximum Watts:	950
-------------	-----------	------------------------	-------	----------	------	-----------------	-------	----------------	-----

DIMENSIONS

NOTES:

1. LEADS: 18GA STRANDED, LEADS CAN BE ANY COLOR EXCEPT GREEN OR GREEN WITH YELLOW STRIPE.
2. GROUNDING OR EARTHING PROVISIONS: USE HOLES AS INDICATED FOR GROUNDING OR EARTHING. REFER TO APPROPRIATE LISTING OR REGULATORY AGENCY FOR PROPER METHOD OF GROUNDING OR EARTHING.
3. RECOMMENDED SCREW SIZE 10-16 TYPE BT OR 25 THREAD CUTTING SCREW. MAXIMUM PENETRATION 17.40/.685.



IMPORTANT NOTE: Pictorial and dimensional data are subject to change without notice. Contact factory for current revision levels.

WARNING - When using AMETEK Lamb Electric bypass motors in machines that come in contact with foam, liquid (including water), or other foreign substances, the machine must be designed and constructed to prevent those substances from reaching the fan system, motor housing, and electrical components. Lamb Electric vacuum motors other than hazardous duty models should not be applied in machines that come in contact with dry chemicals or other volatile materials. Failure to observe these precautions could cause flashing (depending on volatility) or electrical shock which could result in property damage and severe bodily injury, including death in extreme cases. All applications incorporating Lamb Electric motors should be submitted to appropriate organizations or agencies for testing specifically related to the safety of your equipment.

