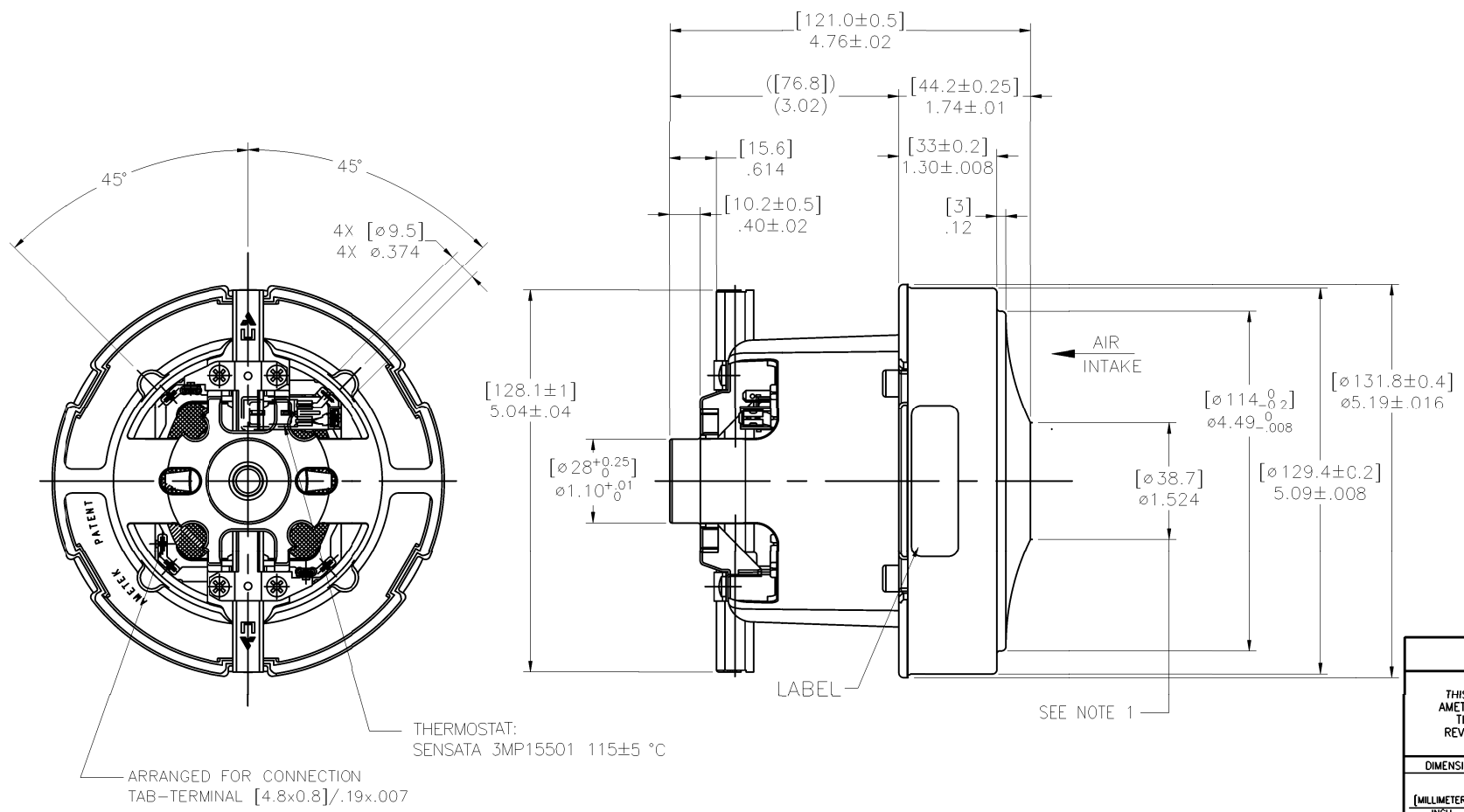


NOTES:
1. MOUNTING MUST NOT RESTRICT THIS DIAMETER.

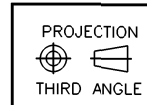
REVISIONS			
REV	ECN	CHANGE	DATE
--		FIRST ISSUE	12/24/15



CONTROL CHARACTERISTICS M101-M199=MAJOR REFERENCE ENGINEERING SPECIFICATION K-1			
CONFIDENTIAL THIS PRINT AND THE SPECIFICATIONS ARE THE PROPERTY OF AMETEK, LAMB ELECTRIC DIVISION, AND HAS BEEN ISSUED WITH THE UNDERSTANDING THAT IT WILL NOT BE REPRODUCED, REVEALED TO OR USED FOR THE MANUFACTURE FOR OTHERS AND WILL BE RETURNED UPON REQUEST.			
DIMENSIONING AND TOLERANCING IN ACCORDANCE WITH ASME y14.5M-1994			
DO NOT SCALE DRAWING		TOLERANCES	
[MILLIMETER]	UNLESS OTHERWISE SPECIFIED	[±.XX]	[±.XXX]
INCH	REMOVE BURRS	±.XX	±.XXX
IN [MM]	BREAK SHARP EDGES .005-.020 [0.13-0.51]	[±0.5]	[±0.13]
		±.02	±.005
MATERIAL			
SCALE	FULL	CODE 75511	FINISH SPEC.
CAD FILE NAME		NEXT ASSY.	WT.
DRAWN BY:	ALAN ZHU	DATE:	12/24/15
ENG. APP'D.:	VINCENT WEI	DATE:	12/24/15
ITEM DESCRIPTION			
MODEL-VAC,5.1,230V,1 STG,TF,___,B/B,WC			
TITLE			SIZE
MOTOR OUTLINE			A

Ametek Industrial Technology (Shanghai) Co., Ltd.
122574-00 230V 50/60Hz
MMM-DD-YY W
www.ametekfsm.com

STAMPING INFORMATION



AMETEK
FLOORCARE AND SPECIALTY
MOTORS

E-NO: E-16385-2A-0 SHEET
REF. 122486-00-0 1 OF 1
DWG. NO. 122574-00-0