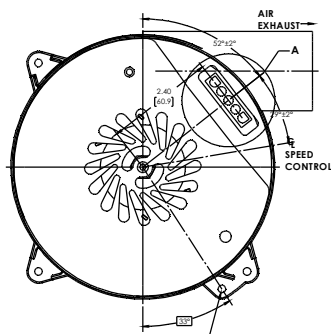
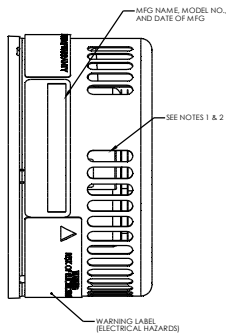


ENG. NO. 117637-74R-0

REV.	DESCRIPTION	DATE	APP'D.
A	REVISED TO PRODUCTION MH	3-23-22	MH

NOTES:

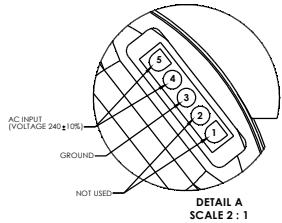
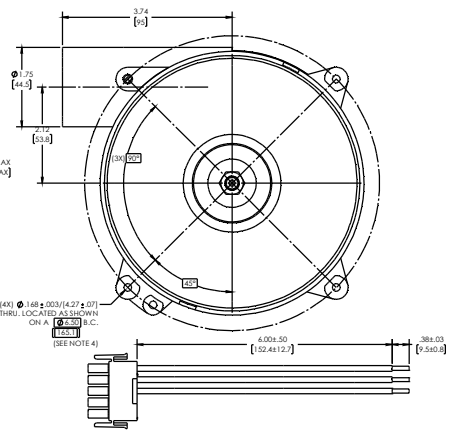
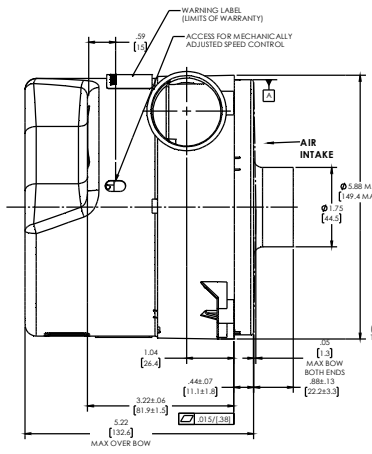
1. ALL INTAKE, EXHAUST, COOLING DUCTS AND VENTS MUST NOT BE OBSTRUCTED BY MOUNTING.
2. MOTOR VENTILATION AIR TO BE FREE OF OILS AND OTHER FOREIGN PARTICLES (I.E. BREATHING QUALITY AIR). MOTOR TO BE MOUNTED SO THAT MOTOR VENTILATION AIR CANNOT RECIRCULATE.
3. BLOWER CONNECTOR (AMP PN# 640900-1) TO CONNECT WITH CUSTOMER SUPPLIED AMP MATE-N-LOK PLUG CONNECTOR (AMP PN# 350809-1) USING UNIVERSAL MATE-N-LOK SOCKETS FOR #16 GA. WIRE.
4. CUSTOMER MAY USE HARNESS ASSEMBLY SUPPLIED OR CONNECT DIRECTLY INTO BLOWER.
5. HOLES INDICATED MAY CONTAIN FLASH.
6. RoHS AND REACH COMPLIANCE. REFERENCE AMETEK ENVIRONMENTAL SPECIFICATION ES0010 FOR DETAILS.



(1X)  $\varnothing 148 \pm .003$  (4.27 ± .07) THRU LOCATED AS SHOWN ON A [SEE NOTE 4]

USE THIS HOLE FOR GROUNDING OR EARTHING REFER TO APPROPRIATE LISTING OR REGULATORY AGENCY FOR PROPER METHOD OF GROUNDING OR EARTHING (SEE NOTE 4)

$\varnothing 224$  (L1)



CONTROL CHARACTERISTICS M101-M177-MA FOR REP. ENG. SPEC. 4.1	
DO NOT SCALE DRAWING	
THIS PRINT AND THE SPECIFICATIONS ARE THE PROPERTY OF AMETEK. (TECHNICAL & INDUSTRIAL PROPERTY) AND WILL BE RETURNED WITH THE UNDERSTANDING THAT IT WILL NOT BE REPRODUCED, REVEALED TO OR USED FOR THE MANUFACTURE OF OTHERS AND WILL BE RETURNED UPON REQUEST.	
DO NOT SCALE DRAWING	
DATE CHANGED FROM:	REV. NUMBER:
QUANTITY ORDERED:	REV. DATE:
MAX. AMP. (1000.000.000)	REV. 001
REV. 75011	
REV. DATE:	REV. DATE:
REV. DATE:	REV. DATE:
REV. DATE:	REV. DATE:
5.7 240V 400W BYPASS BRUSHLESS 1 STAGE BLOWER OUTLINE	
AMETEK DYNAMIC FLUID SOLUTIONS	
117637-74R-0	